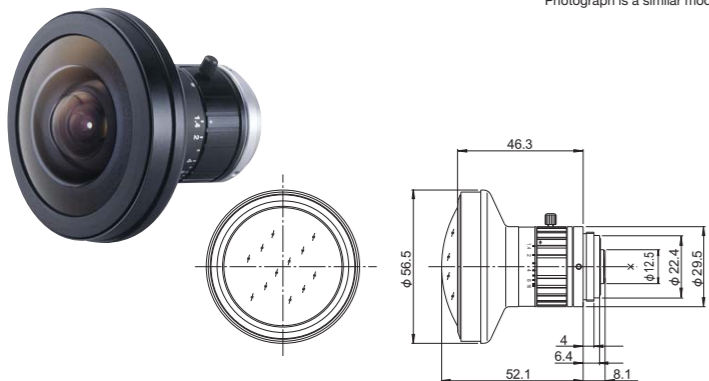


For FA/Machine Vision Fish-Eye

FE185C046HA-1



*Photograph is a similar model.

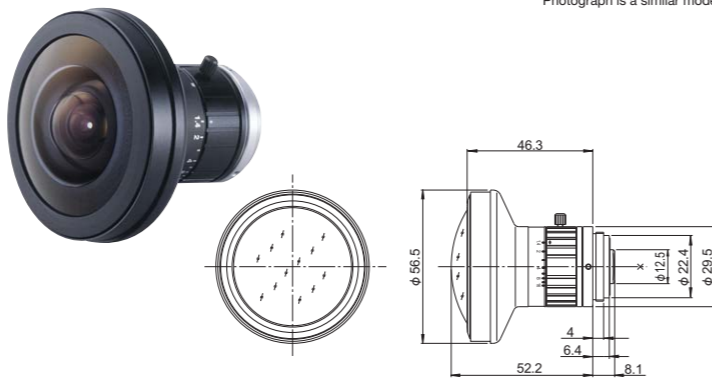


Unit : mm

FE185C057HA-1



*Photograph is a similar model.

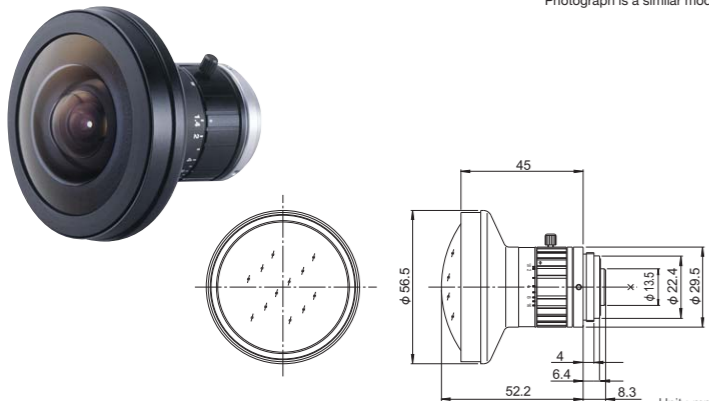


Unit : mm

FE185C086HA-1



*Photograph is a similar model.



Unit : mm

Feature Indications



Fixed Focal
High performance single focal lens for the best image quality



Manual Iris
Manually-operated iris



C Mount
Screw-in mounting commonly used in FA lenses



Wide Aperture Rate
Lens with the wide aperture rate, optimizing the sensitivity of cameras



Fish-Eye
Super wide angle lens realizing angle of 185 degrees



For Megapixel Camera
For 5 Megapixel Camera



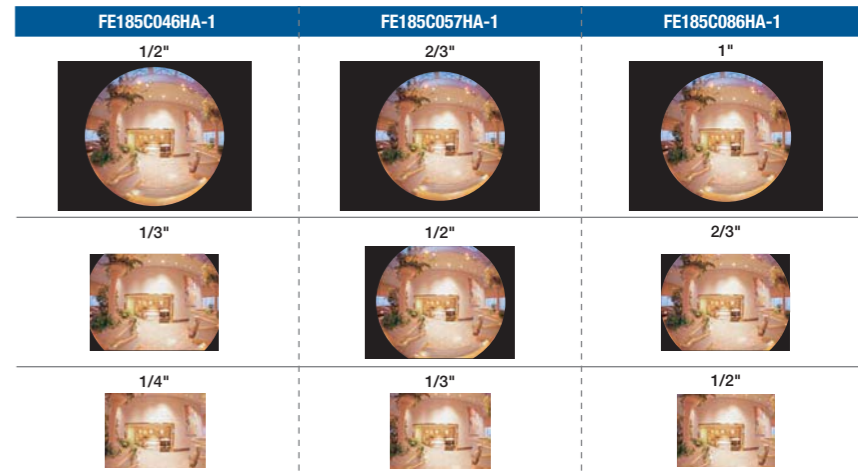
Metal Mount
Metal mounting with high accuracy and durability



... With locking knob for iris

Fish-Eye

- High-resolution design, providing support for up to 5 megapixel camera resolution.
- Super wide angle of 185 degrees that eliminates dead angles and enables effective, wide-area surveillance.
- Designed with the f-theta system, most suited for uniform displaying of images. Allows high-quality image display, partial enlargement, and conversion to ordinary-looking images to be performed easily with imaging software.

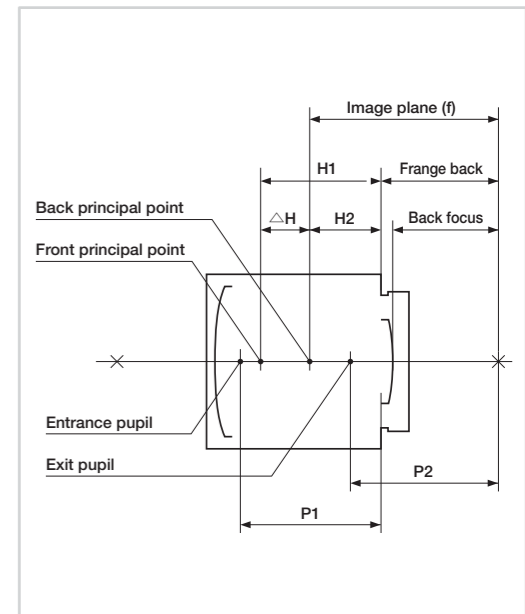


	FE185C046HA-1		FE185C057HA-1		FE185C086HA-1	
Focal Length (mm)	1.4		1.8		2.7	
Iris Range	F1.4~F16		F1.4~F16		F1.8~F16	
Operation	Focus	Fixed		Fixed		
	Iris	Manual		Manual		
Angle Of View (HxV)	1/2"	185° × 185° (φ4.6mm)	2/3"	185° × 185° (φ5.7mm)	1"	185° × 185° (φ8.6mm)
	1/3"	185° × 144°47'	1/2"	185°01' × 154°08'	2/3"	185° × 140°35'
	1/4"	144°47' × 108°35'	1/3"	154°08' × 115°27'	1/2"	136°18' × 102°19'
Focusing Range (From Front Of The Lens) (m)	∞ ~ 0.1		∞ ~ 0.1		∞ ~ 0.2	
Back Focal Distance (in air) (mm)	9.70		9.70		9.75	
Exit Pupil Position (From Image Plane) (mm)	-61		-61		-49	
Filter Thread (mm)	—		—		—	
Mount	C		C		C	
Mass (g)	140		135		160	
Remarks	With Metal Mount		With Metal Mount		With Metal Mount	

OPTICAL DATA (FA/Machine Vision LENS)

Sensor size	Product name	Focal Length	Aperture/Full open	Front principal point H1 (from Mount)	Back principal point H2 (from Mount)	Distance between the principal points ΔH
1/2"	DF6HA-1B	6.15	1.2	-16.45	11.38	27.82
	HF9HA-1B	9.23	1.4	-12.91	8.30	21.21
	HF12.5HA-1B	12.88	1.4	-2.85	4.64	7.49
	HF16HA-1B	16.49	1.4	3.05	1.03	-2.02
	HF25HA-1B	25.81	1.4	1.82	-8.28	-10.10
	HF35HA-1B	34.99	1.6	-9.00	-17.47	-8.46
2/3"	HF50HA-1B	49.57	2.3	-42.64	-32.04	10.59
	HF75HA-1B	75.01	2.8	-100.77	-57.48	43.29
	HF12.5SA-1	12.83	1.4	-33.68	4.70	38.37
	HF16SA-1	16.33	1.4	-24.15	1.20	25.35
	HF25SA-1	24.00	1.4	-23.47	-6.47	17.00
	HF35SA-1	35.74	1.4	-1.27	-18.21	-16.94
	HF50SA-1	51.72	1.8	-1.87	-34.19	-32.32
	HF75SA-1	74.97	1.8	-34.56	-57.45	-22.89
	HF35SR4A-SA1L	35.00	2.0	-19.33	-17.47	1.85
	HF50SR4A-SA1L	50.00	2.8	18.09	-32.47	-50.56
	1"	CF12.5HA-1	12.83	1.4	-33.68	4.70
CF16HA-1		16.33	1.4	-24.15	1.20	25.35
CF25HA-1		24.00	1.4	-23.47	-6.47	17.00
CF35HA-1		35.74	1.4	-1.27	-18.21	-16.94
CF50HA-1		51.72	1.8	-1.87	-34.19	-32.32
CF75HA-1		74.97	1.8	-34.56	-57.45	-22.89
1/3" (3CCD)	TF2.8DA-8	2.86	2.2	-33.74	14.67	48.41
	TF4DA-8	4.15	2.2	-28.46	13.37	41.83
	TF8DA-8B	8.23	2.2	-10.81	9.30	20.10
	TF15DA-8	15.26	2.2	-0.33	2.27	2.60
	TF25DA-8B	24.94	2.2	14.49	-7.42	-21.91
Fish-Eye	FE185C046HA-1	1.43	1.4	-38.26	16.10	54.36
	FE185C057HA-1	1.78	1.4	-37.55	15.75	53.30
	FE185C086HA-1	2.68	1.8	-35.00	14.85	49.85

Entrance pupil position P1 (from Mount)	Exit pupil position P2 (from Image plane)	Back focal distance (in air)	Distortion	Relative illumination (Aperture: at full open. Image height: at diagonal)
-21.8	-46	11.44	-1.93%	39
-19.1	-28	13.48	-2.09%	32
-10.3	-31	15.09	-2.01%	35
-4.5	-30	15.15	-0.96%	35
-3.0	-32	14.58	-0.27%	46
2.1	-27	15.00	0.03%	56
5.8	-25	15.25	0.04%	61
35.4	-27	15.75	0.27%	63
-44.9	-101	16.07	-0.30%	68
-38.9	-172	17.99	-0.08%	78
-43.3	-139	22.32	-0.18%	72
-2.1	-37	14.99	-0.07%	62
0.5	-49	17.81	-0.03%	75
-2.2	-52	24.43	-0.03%	72
-37.8	-74	19.65	-0.02%	74
-26.7	-484	19.16	0.07%	80
-44.9	-101	16.07	0.17%	40
-38.9	-172	17.99	0.31%	34
-43.3	-139	22.32	0.02%	39
-2.1	-37	14.99	-0.15%	43
0.5	-49	17.81	-0.06%	62
-2.2	-52	24.43	-0.06%	67
-36.7	101	14.51	-6.25%	51
-32.8	88	14.61	-3.78%	53
-18.6	-178	14.83	-1.32%	30
-12.9	-89	16.32	-0.33%	34
-5.1	-120	15.12	-0.12%	30
-39.7	-227	9.70	-0.47% ※	75
-39.3	-66	9.70	-0.80% ※	74
-37.5	-41	9.75	-0.53% ※	84



※y=f·θ